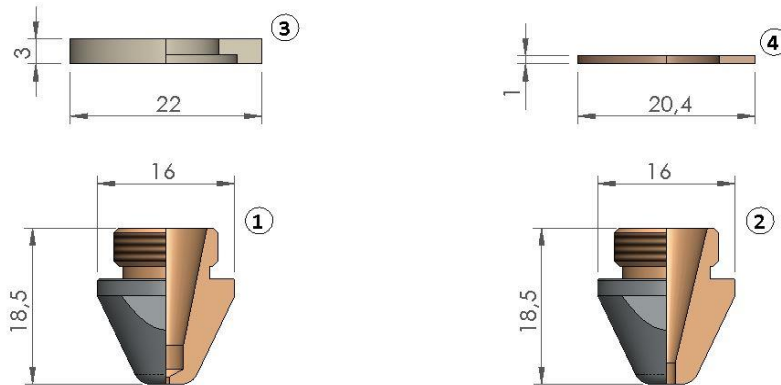
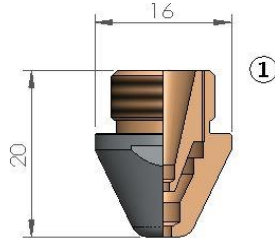


## Replacement parts suitable for AMADA<sup>®</sup>



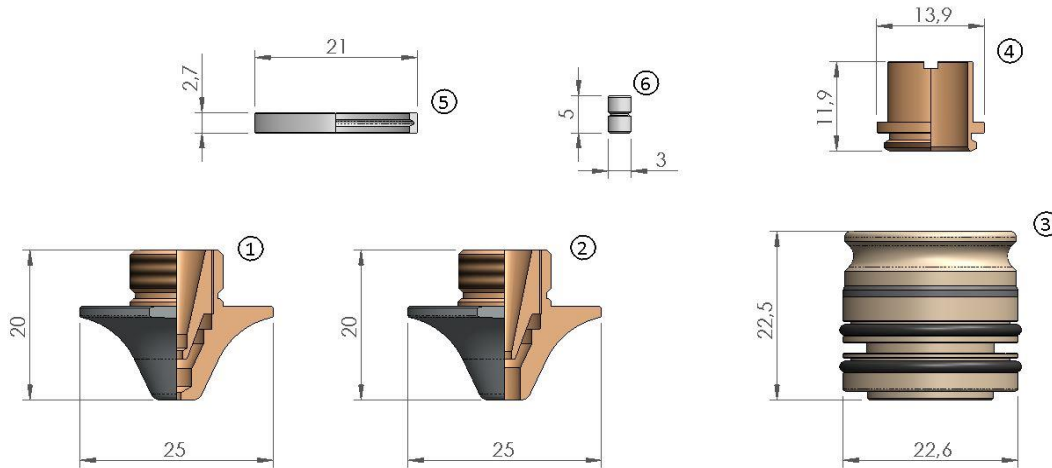
POS	LS. CODE	ORIGINAL CODE	DESCRIPTION	unit price	10 pack price
1	105001CW		AMADA <sup>®</sup> NOZZLE Ø 0.8 CP		
	105002CW	1664545U	AMADA <sup>®</sup> NOZZLE Ø 1.0 CP		
	105003CW	1664545U	AMADA <sup>®</sup> NOZZLE Ø 1.25 CP		
	105004CW	1664545U	AMADA <sup>®</sup> NOZZLE Ø 1.5 CP		
	105005CW	1664545U	AMADA <sup>®</sup> NOZZLE Ø 1.75 CP		
2	105006CW	1664644U-71341610	AMADA <sup>®</sup> NOZZLE Ø 2.0 CP		
	105007CW	1664545U	AMADA <sup>®</sup> NOZZLE Ø 2.5 CP		
	105008CW	1664645U-71360142	AMADA <sup>®</sup> NOZZLE Ø 3.0 CP		
	105009CW		AMADA <sup>®</sup> NOZZLE Ø 4.0 CP		
3	109020		AMADA <sup>®</sup> DISC HEAD PROTECTION CERAMIC Ø 22		
4	109019	71341614	AMADA <sup>®</sup> DISC HEAD PROTECTION VESPEL Ø 21		

## Replacement parts suitable for AMADA<sup>®</sup>



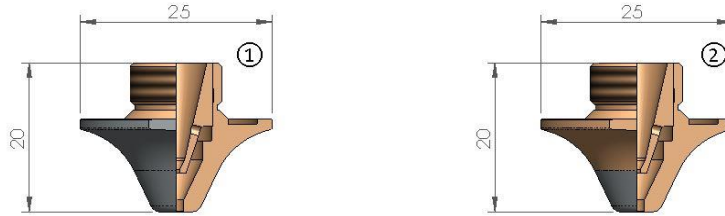
POS	LS. CODE	ORIGINAL CODE	DESCRIPTION	unit price	10 pack price
1	105015CW	1669864/7134162	AMADA <sup>®</sup> DOUBLE NOZZLE Ø D1.0 CP		
	105016CW	1669864/7134162	AMADA <sup>®</sup> DOUBLE NOZZLE Ø D1.2 CP		
	105017CW	1669864/7134162	AMADA <sup>®</sup> DOUBLE NOZZLE Ø D1.4 CP		
	105018CW	1669864/7134162	AMADA <sup>®</sup> DOUBLE NOZZLE Ø D1.5 CP		
	105019CW	1669864/7134162	AMADA <sup>®</sup> DOUBLE NOZZLE Ø D1.8 CP		
	105020CW	1669864/7134162	AMADA <sup>®</sup> DOUBLE NOZZLE Ø D2.0 CP		
	105021CW	1669864/7134162/ 41341680/71341772	AMADA <sup>®</sup> DOUBLE NOZZLE Ø D2.5 CP		
	105022CW	1669864/7134163	AMADA <sup>®</sup> DOUBLE NOZZLE Ø D3.0 CP		
	105023CW	1669864/7134162	AMADA <sup>®</sup> DOUBLE NOZZLE Ø D3.5 CP		
	105024CW		AMADA <sup>®</sup> DOUBLE NOZZLE Ø D3.8 CP		
	105025CW	1669795/71341681	AMADA <sup>®</sup> DOUBLE NOZZLE Ø D4.0 CP		

## Replacement parts suitable for AMADA<sup>®</sup>

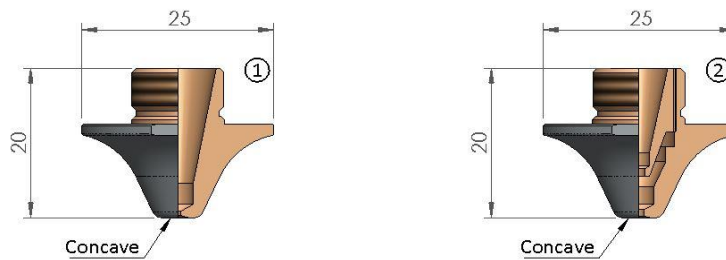


POS	LS. CODE	ORIGINAL CODE	DESCRIPTION	unit price	10 pack price
1	101020C		AMADA <sup>®</sup> DOUBLE NOZZLE Ø D1.2E CP ECO CUT		
	101020CW		AMADA <sup>®</sup> DOUBLE NOZZLE Ø D1.2E CP ECO CUT		
	101021C	71518550-71461029-71502038	AMADA <sup>®</sup> DOUBLE NOZZLE Ø D1.4E CP ECO CUT		
	101021CW	71518550-71461029-71502038	AMADA <sup>®</sup> DOUBLE NOZZLE Ø D1.4E CP ECO CUT		
	101022C		AMADA <sup>®</sup> DOUBLE NOZZLE Ø D1.7E CP ECO CUT		
	101022CW		AMADA <sup>®</sup> DOUBLE NOZZLE Ø D1.7E CP ECO CUT		
	101023C		AMADA <sup>®</sup> DOUBLE NOZZLE Ø D2.0E CP ECO CUT		
	101023CW		AMADA <sup>®</sup> DOUBLE NOZZLE Ø D2.0E CP ECO CUT		
	101024C	71516789-71501059	AMADA <sup>®</sup> DOUBLE NOZZLE Ø D2.5E CP ECO CUT		
	101024CW	71516789-71501059	AMADA <sup>®</sup> DOUBLE NOZZLE Ø D2.5E CP ECO CUT		
	101025C		AMADA <sup>®</sup> DOUBLE NOZZLE Ø D3.0E CP ECO CUT		
	101025CW		AMADA <sup>®</sup> DOUBLE NOZZLE Ø D3.0E CP ECO CUT		
	101026C	71516790-71501060	AMADA <sup>®</sup> DOUBLE NOZZLE Ø D4.0E CP ECO CUT		
	101026CW	71516790-71501060	AMADA <sup>®</sup> DOUBLE NOZZLE Ø D4.0E CP ECO CUT		
2	104003C	71501093	AMADA <sup>®</sup> DOUBLE NOZZLE Ø D4.0 AL CP		
3	109001	71712350	AMADA <sup>®</sup> NOZZLE HOLDER PLUG-IN with INNER		
	109002	71712350	AMADA <sup>®</sup> NOZZLE HOLDER PLUG-IN		
4	109010	71716438-71798350	AMADA <sup>®</sup> INNER FOR PLUG-IN		
5	109006	71712340	AMADA <sup>®</sup> PTFE COLLAR WITH GROOVE		
6	109007	71712344	AMADA <sup>®</sup> LOCATING PIN		

## Replacement parts suitable for AMADA<sup>®</sup>

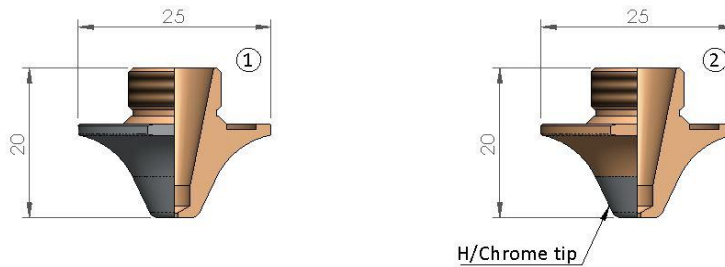


POS	LS. CODE	ORIGINAL CODE	DESCRIPTION	unit price	10 pack price
1	104007C		AMADA <sup>®</sup> DOUBLE NOZZLE Ø D1.5F CP		
	104008C	71570022	AMADA <sup>®</sup> DOUBLE NOZZLE Ø D2.0F CP		
	104009C		AMADA <sup>®</sup> DOUBLE NOZZLE Ø D2.5F CP		
	104011C		AMADA <sup>®</sup> DOUBLE NOZZLE Ø D4.0F CP		
2	104007CK		AMADA <sup>®</sup> DOUBLE NOZZLE Ø D1.5F CP		
	104008CK		AMADA <sup>®</sup> DOUBLE NOZZLE Ø D2.0F CP		
	104009CK		AMADA <sup>®</sup> DOUBLE NOZZLE Ø D2.5F CP		
	104011CK		AMADA <sup>®</sup> DOUBLE NOZZLE Ø D4.0F CP		



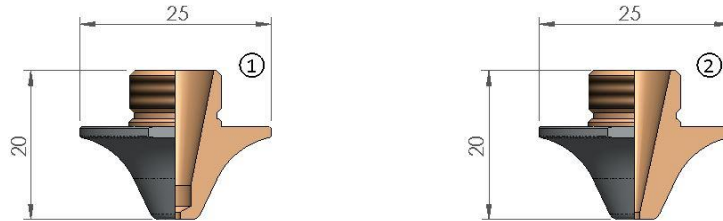
POS	LS. CODE	ORIGINAL CODE	DESCRIPTION	unit price	10 pack price
1	101030C		AMADA <sup>®</sup> NOZZLE Ø S0.8 CP W/CONCAVE		
	101030CW		AMADA <sup>®</sup> NOZZLE Ø S0.8 CP W/CONCAVE		
	101031C		AMADA <sup>®</sup> NOZZLE Ø S1.0 CP W/CONCAVE		
	101031CW		AMADA <sup>®</sup> NOZZLE Ø S1.0 CP W/CONCAVE		
	101032C		AMADA <sup>®</sup> NOZZLE Ø S1.2 CP W/CONCAVE		
	101032CW		AMADA <sup>®</sup> NOZZLE Ø S1.2 CP W/CONCAVE		
2	101037C		AMADA <sup>®</sup> DOUBLE NOZZLE Ø D1.4 CP W/CONCAVE		
	101037CW		AMADA <sup>®</sup> DOUBLE NOZZLE Ø D1.4 CP W/CONCAVE		

## Replacement parts suitable for AMADA<sup>®</sup>



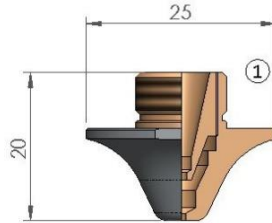
POS	LS. CODE	ORIGINAL CODE	DESCRIPTION	unit price	10 pack price
1	104015C		AMADA <sup>®</sup> NOZZLE Ø S0.8 FE CP		
	104016C	71570021, S1.0FE	AMADA <sup>®</sup> NOZZLE Ø S1.0 FE CP		
	104017C	71570020, S1.2FE	AMADA <sup>®</sup> NOZZLE Ø S1.2 FE CP		
	104018C		AMADA <sup>®</sup> NOZZLE Ø S1.4 FE CP		
2	104015CK		AMADA <sup>®</sup> NOZZLE Ø S0.8 FE CP		
	104016CK	71570021, S1.0FE	AMADA <sup>®</sup> NOZZLE Ø S1.0 FE CP		
	104017CK	71570020, S1.2FE	AMADA <sup>®</sup> NOZZLE Ø S1.2 FE CP		
	104018CK		AMADA <sup>®</sup> NOZZLE Ø S1.4 FE CP		

## Replacement parts suitable for AMADA<sup>®</sup>



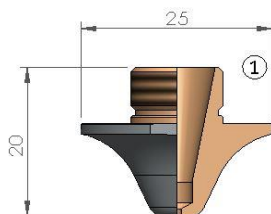
POS	LS. CODE	ORIGINAL CODE	DESCRIPTION	unit price	10 pack price
1	101002C		AMADA <sup>®</sup> NOZZLE Ø S0.8E CP ECO CUT		
	101002CW		AMADA <sup>®</sup> NOZZLE Ø S0.8E CP ECO CUT		
	101003C	71566685	AMADA <sup>®</sup> NOZZLE Ø S1.0E CP ECO CUT		
	101003CW	71566685	AMADA <sup>®</sup> NOZZLE Ø S1.0E CP ECO CUT		
	101004C	71502037-71461028-71566686-71369812	AMADA <sup>®</sup> NOZZLE Ø S1.2E CP ECO CUT		
	101004CW	71502037-71461028-71566686-71369812	AMADA <sup>®</sup> NOZZLE Ø S1.2E CP ECO CUT		
	101007C		AMADA <sup>®</sup> NOZZLE Ø S1.5E CP ECO CUT		
	101007CW		AMADA <sup>®</sup> NOZZLE Ø S1.5E CP ECO CUT		
	101010C		AMADA <sup>®</sup> NOZZLE Ø S2.0E CP ECO CUT		
	101010CW		AMADA <sup>®</sup> NOZZLE Ø S2.0E CP ECO CUT		
	101013C		AMADA <sup>®</sup> NOZZLE Ø S2.5E CP ECO CUT		
	101013CW		AMADA <sup>®</sup> NOZZLE Ø S2.5E CP ECO CUT		
	101015C		AMADA <sup>®</sup> NOZZLE Ø S3.0E CP ECO CUT		
	101015CW		AMADA <sup>®</sup> NOZZLE Ø S3.0E CP ECO CUT		
2	101005C		AMADA <sup>®</sup> NOZZLE Ø S1.4 CP ECO CUT		
	101005CW		AMADA <sup>®</sup> NOZZLE Ø S1.4 CP ECO CUT		
	101006C	71501056 - 71712720	AMADA <sup>®</sup> NOZZLE Ø S1.5 CP ECO CUT		
	101006CW	71501056 - 71712720	AMADA <sup>®</sup> NOZZLE Ø S1.5 CP ECO CUT		
	101008C		AMADA <sup>®</sup> NOZZLE Ø S1.7 CP ECO CUT		
	101008CW		AMADA <sup>®</sup> NOZZLE Ø S1.7 CP ECO CUT		
	101009C	71501057-71555124	AMADA <sup>®</sup> NOZZLE Ø S2.0 CP ECO CUT		
	101009CW	71501057-71555124	AMADA <sup>®</sup> NOZZLE Ø S2.0 CP ECO CUT		
	101011C		AMADA <sup>®</sup> NOZZLE Ø S2.3 CP ECO CUT		
	101011CW		AMADA <sup>®</sup> NOZZLE Ø S2.3 CP ECO CUT		
	101012C		AMADA <sup>®</sup> NOZZLE Ø S2.5 CP ECO CUT		
	101012CW		AMADA <sup>®</sup> NOZZLE Ø S2.5 CP ECO CUT		
	101014C	71516788-71501058	AMADA <sup>®</sup> NOZZLE Ø S3.0 CP ECO CUT		
	101014CW	71516788-71501058	AMADA <sup>®</sup> NOZZLE Ø S3.0 CP ECO CUT		
101016C		AMADA <sup>®</sup> NOZZLE Ø S4.0 CP ECO CUT			
101016CW		AMADA <sup>®</sup> NOZZLE Ø S4.0 CP ECO CUT			

## Replacement parts suitable for AMADA<sup>®</sup>



POS	LS. CODE	ORIGINAL CODE	DESCRIPTION	unit price	10 pack price
1	101040C	1572361	AMADA <sup>®</sup> DOUBLE NOZZLE Ø D1.2 CP		
	101040CW	1572361	AMADA <sup>®</sup> DOUBLE NOZZLE Ø D1.2 CP		
	101041C	71369813, 71502038, 71341779, 71518550	AMADA <sup>®</sup> DOUBLE NOZZLE Ø D1.4 CP		
	101041CW	71369813, 71502038, 71341779, 71518550	AMADA <sup>®</sup> DOUBLE NOZZLE Ø D1.4 CP		
	101042C	1572361, 71518548, 1572380	AMADA <sup>®</sup> DOUBLE NOZZLE Ø D1.7 CP		
	101042CW	1572361, 71518548, 1572380	AMADA <sup>®</sup> DOUBLE NOZZLE Ø D1.7 CP		
	101043C	1572361	AMADA <sup>®</sup> DOUBLE NOZZLE Ø D2.0 CP		
	101043CW	1572361	AMADA <sup>®</sup> DOUBLE NOZZLE Ø D2.0 CP		
	101044C	71501059, 71515394, 71516789, 1576398	AMADA <sup>®</sup> DOUBLE NOZZLE Ø D2.5 CP		
	101044CW	71501059, 71515394, 71516789, 1576398	AMADA <sup>®</sup> DOUBLE NOZZLE Ø D2.5 CP		
	101045C	1572361	AMADA <sup>®</sup> DOUBLE NOZZLE Ø D3.0 CP		
	101045CW	1572361	AMADA <sup>®</sup> DOUBLE NOZZLE Ø D3.0 CP		
	101046C	71501060, 71515395, 1576399	AMADA <sup>®</sup> DOUBLE NOZZLE Ø D4.0 CP		
	101046CW	71501060, 71515395, 1576399	AMADA <sup>®</sup> DOUBLE NOZZLE Ø D4.0 CP		
	101047C		AMADA <sup>®</sup> DOUBLE NOZZLE Ø D4.0 CP INNER D2.0		
	101047CW		AMADA <sup>®</sup> DOUBLE NOZZLE Ø D4.0 CP INNER D2.0		
	101048C	1572361	AMADA <sup>®</sup> DOUBLE NOZZLE Ø D5.0 CP		
	101048CW	1572361	AMADA <sup>®</sup> DOUBLE NOZZLE Ø D5.0 CP		
	101049C		AMADA <sup>®</sup> DOUBLE NOZZLE Ø D6.0 CP		
	101049CW		AMADA <sup>®</sup> DOUBLE NOZZLE Ø D6.0 CP		

## Replacement parts suitable for AMADA<sup>®</sup>



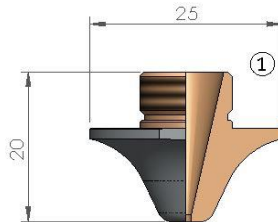
POS	LS. CODE	ORIGINAL CODE	DESCRIPTION	unit price	10 pack price
1	101050C	1572362, 71563584	AMADA <sup>®</sup> NOZZLE Ø 0.8 CP		
	101050CW	1572362, 71563584	AMADA <sup>®</sup> NOZZLE Ø 0.8 CP		
	101051C	1572367A, 71563585	AMADA <sup>®</sup> NOZZLE Ø 1.0 CP		
	101051CW	1572367A, 71563585	AMADA <sup>®</sup> NOZZLE Ø 1.0 CP		
	101052C	71369812, 71461028, 71341778	AMADA <sup>®</sup> NOZZLE Ø 1.2 CP		
	101052CW	71369812, 71461028, 71341778	AMADA <sup>®</sup> NOZZLE Ø 1.2 CP		
	101053C	1572362	AMADA <sup>®</sup> NOZZLE Ø 1.4 CP		
	101053CW	1572362	AMADA <sup>®</sup> NOZZLE Ø 1.4 CP		
	101054C	1572362, 1572368B	AMADA <sup>®</sup> NOZZLE Ø 1.5 CP		
	101054CW	1572362, 1572368B	AMADA <sup>®</sup> NOZZLE Ø 1.5 CP		
	101055C	1572362	AMADA <sup>®</sup> NOZZLE Ø 1.7 CP		
	101055CW	1572362	AMADA <sup>®</sup> NOZZLE Ø 1.7 CP		
	101056C	71515392, 71369815	AMADA <sup>®</sup> NOZZLE Ø 2.0 CP		
	101056CW	71515392, 71369815	AMADA <sup>®</sup> NOZZLE Ø 2.0 CP		
	101057C		AMADA <sup>®</sup> NOZZLE Ø 2.5 CP		
	101057CW		AMADA <sup>®</sup> NOZZLE Ø 2.5 CP		
	101058C	71515393, 1576112	AMADA <sup>®</sup> NOZZLE Ø 3.0 CP		
	101058CW	71515393, 1576112	AMADA <sup>®</sup> NOZZLE Ø 3.0 CP		
	101059C	1572362	AMADA <sup>®</sup> NOZZLE Ø 4.0 CP		
	101059CW	1572362	AMADA <sup>®</sup> NOZZLE Ø 4.0 CP		



---

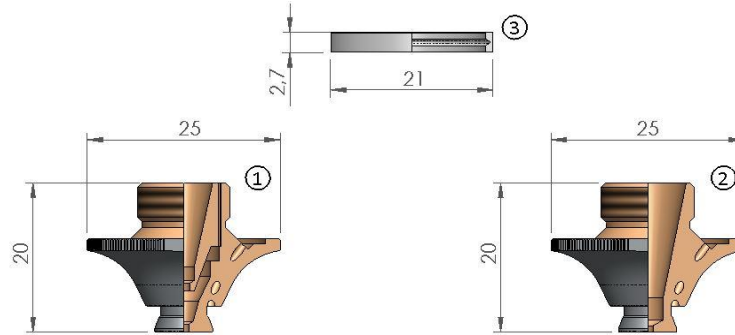


---

 Replacement parts suitable for AMADA<sup>®</sup>


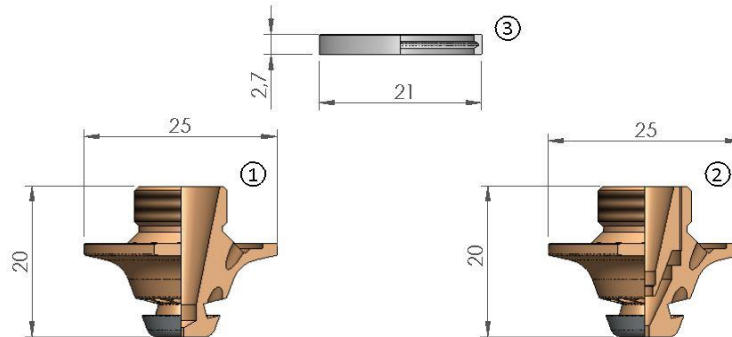
POS	LS. CODE	ORIGINAL CODE	DESCRIPTION	unit price	10 pack price
1	101060C		AMADA <sup>®</sup> NOZZLE Ø 0.8 CP		
	101060CW		AMADA <sup>®</sup> NOZZLE Ø 0.8 CP		
	101061C		AMADA <sup>®</sup> NOZZLE Ø 1.0 CP		
	101061CW		AMADA <sup>®</sup> NOZZLE Ø 1.0 CP		
	101062C		AMADA <sup>®</sup> NOZZLE Ø 1.2 CP		
	101062CW		AMADA <sup>®</sup> NOZZLE Ø 1.2 CP		
	101063C		AMADA <sup>®</sup> NOZZLE Ø 1.4 CP		
	101063CW		AMADA <sup>®</sup> NOZZLE Ø 1.4 CP		
	101064C		AMADA <sup>®</sup> NOZZLE Ø 1.5 CP		
	101064CW		AMADA <sup>®</sup> NOZZLE Ø 1.5 CP		
	101065C		AMADA <sup>®</sup> NOZZLE Ø 1.7 CP		
	101065CW		AMADA <sup>®</sup> NOZZLE Ø 1.7 CP		
	101066C		AMADA <sup>®</sup> NOZZLE Ø 2.0 CP		
	101066CW		AMADA <sup>®</sup> NOZZLE Ø 2.0 CP		
	101067C		AMADA <sup>®</sup> NOZZLE Ø 2.3 CP		
	101067CW		AMADA <sup>®</sup> NOZZLE Ø 2.3 CP		
	101068C		AMADA <sup>®</sup> NOZZLE Ø 3.0 CP		
	101068CW		AMADA <sup>®</sup> NOZZLE Ø 3.0 CP		

## Replacement parts suitable for AMADA<sup>®</sup>



POS	LS. CODE	ORIGINAL CODE	DESCRIPTION	unit price	10 pack price
1	102003C		AMADA <sup>®</sup> DOUBLE NOZZLE Ø D1.4W CP WACS		
	102003CT		AMADA <sup>®</sup> DOUBLE NOZZLE Ø D1.4W CP WACS WITH COLLAR		
	102004C		AMADA <sup>®</sup> DOUBLE NOZZLE Ø D1.7W CP WACS		
	102004CT		AMADA <sup>®</sup> DOUBLE NOZZLE Ø D1.7W CP WACS WITH COLLAR		
	102005C		AMADA <sup>®</sup> DOUBLE NOZZLE Ø D2.0W CP WACS		
	102005CT		AMADA <sup>®</sup> DOUBLE NOZZLE Ø D2.0W CP WACS WITH COLLAR		
	102006C	71712335	AMADA <sup>®</sup> DOUBLE NOZZLE Ø D2.5W CP WACS		
	102006CT		AMADA <sup>®</sup> DOUBLE NOZZLE Ø D2.5W CP WACS WITH COLLAR		
	102007C		AMADA <sup>®</sup> DOUBLE NOZZLE Ø D3.0W CP WACS		
	102007CT		AMADA <sup>®</sup> DOUBLE NOZZLE Ø D3.0W CP WACS WITH COLLAR		
	102008C		AMADA <sup>®</sup> DOUBLE NOZZLE Ø D3.5W CP WACS		
	102008CT		AMADA <sup>®</sup> DOUBLE NOZZLE Ø D3.5W CP WACS WITH COLLAR		
	102009C	71712336 - 71461158	AMADA <sup>®</sup> DOUBLE NOZZLE Ø D4.0W CP WACS		
	102009CT		AMADA <sup>®</sup> DOUBLE NOZZLE Ø D4.0W CP WACS WITH COLLAR		
	102010C		AMADA <sup>®</sup> DOUBLE NOZZLE Ø D4.5W CP WACS		
	102010CT		AMADA <sup>®</sup> DOUBLE NOZZLE Ø D4.5W CP WACS WITH COLLAR		
102011C		AMADA <sup>®</sup> DOUBLE NOZZLE Ø D5.0W CP WACS			
102011CT		AMADA <sup>®</sup> DOUBLE NOZZLE Ø D5.0W CP WACS WITH COLLAR			
2	102016C		AMADA <sup>®</sup> NOZZLE Ø S1.2W CP WACS		
	102016CT		AMADA <sup>®</sup> NOZZLE Ø S1.2W CP WACS WITH COLLAR		
	102017C		AMADA <sup>®</sup> NOZZLE Ø S1.4W CP WACS		
	102017CT		AMADA <sup>®</sup> NOZZLE Ø S1.4W CP WACS WITH COLLAR		
3	109006	71712340	AMADA <sup>®</sup> PTFE COLLAR WITH GROOVE		

## Replacement parts suitable for AMADA<sup>®</sup>



POS	LS. CODE	ORIGINAL CODE	DESCRIPTION	unit price	10 pack price
1	102021CK		AMADA <sup>®</sup> NOZZLE Ø S0.8 FE FIBER CP		
	102021CKT		AMADA <sup>®</sup> NOZZLE Ø S0.8 FE FIBER CP WITH COLLAR		
	102022CK	71570030	AMADA <sup>®</sup> NOZZLE Ø S1.0 FE FIBER CP		
	102022CKT	71570030	AMADA <sup>®</sup> NOZZLE Ø S1.0 FE FIBER CP WITH COLLAR		
	102023CK	71570023	AMADA <sup>®</sup> NOZZLE Ø S1.2 FE FIBER CP		
	102023CKT	71570023	AMADA <sup>®</sup> NOZZLE Ø S1.2 FE FIBER CP WITH COLLAR		
	102024CK		AMADA <sup>®</sup> NOZZLE Ø S1.4 FE FIBER CP		
	102024CKT		AMADA <sup>®</sup> NOZZLE Ø S1.4 FE FIBER CP WITH COLLAR		
	102025CK		AMADA <sup>®</sup> NOZZLE Ø S1.7 FE FIBER CP		
	102025CKT		AMADA <sup>®</sup> NOZZLE Ø S1.7 FE FIBER CP WITH COLLAR		
	102026CK		AMADA <sup>®</sup> NOZZLE Ø S2.0 FE FIBER CP		
	102026CKT		AMADA <sup>®</sup> NOZZLE Ø S2.0 FE FIBER CP WITH COLLAR		
2	102032CK		AMADA <sup>®</sup> DOUBLE NOZZLE Ø D1.2 FE FIBER CP		
	102032CKT		AMADA <sup>®</sup> DOUBLE NOZZLE Ø D1.2 FE FIBER CP WITH COLLAR		
	102033CK		AMADA <sup>®</sup> DOUBLE NOZZLE Ø D1.5 FE FIBER CP		
	102033CKT		AMADA <sup>®</sup> DOUBLE NOZZLE Ø D1.5 FE FIBER CP WITH COLLAR		
3	109006	71712340	AMADA <sup>®</sup> PTFE COLLAR WITH GROOVE		

---



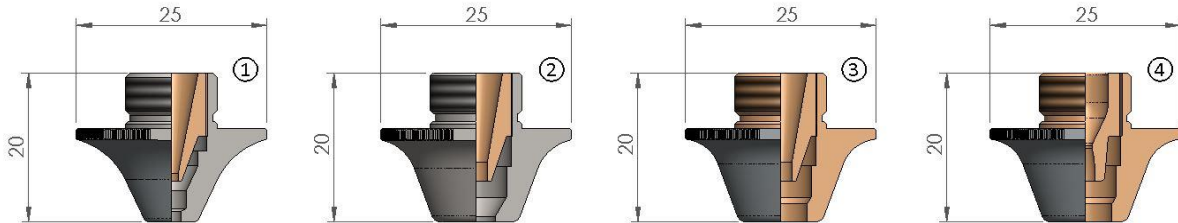
---

Replacement parts suitable for AMADA<sup>®</sup>

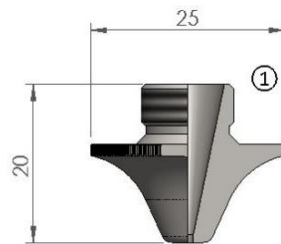


POS	LS. CODE	ORIGINAL CODE	DESCRIPTION	unit price	10 pack price
1	109021	71341630	AMADA <sup>®</sup> SENSOR CABLE		
2	109022	71398965	AMADA <sup>®</sup> SENSOR CABLE HS 15		

## Replacement parts suitable for AMADA<sup>®</sup>

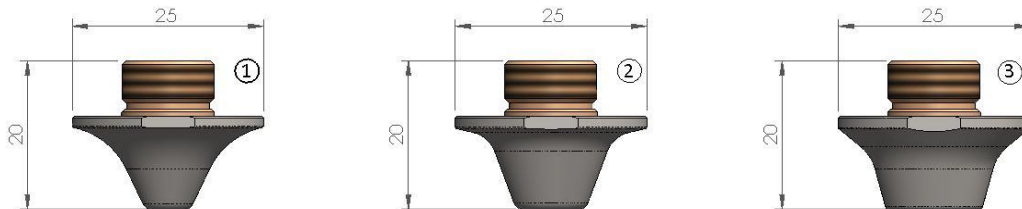


POS	LS. CODE	ORIGINAL CODE	DESCRIPTION	unit price	10 pack price
1	103012K		AMADA <sup>®</sup> DOUBLE NOZZLE Ø D2.5CC SPECIAL CP FOR CLEAN CUT		
	103013K	71341728 - 71555121	AMADA <sup>®</sup> DOUBLE NOZZLE Ø D4.0CC SPECIAL CP FOR CLEAN CUT		
2	103014K		AMADA <sup>®</sup> DOUBLE NOZZLE Ø D5.0CC SPECIAL CP FOR CLEAN CUT		
	103015K		AMADA <sup>®</sup> DOUBLE NOZZLE Ø D6.0CC SPECIAL CP FOR CLEAN CUT		
	103016K	71341729 - 71712721	AMADA <sup>®</sup> DOUBLE NOZZLE Ø D7.0CC SPECIAL CP FOR CLEAN CUT		
3	104005C	71501092	AMADA <sup>®</sup> DOUBLE NOZZLE Ø 7.0 AL CC CP		
4	104013C	71712692	AMADA <sup>®</sup> DOUBLE NOZZLE Ø 7.0SC CP SILKY CUT		

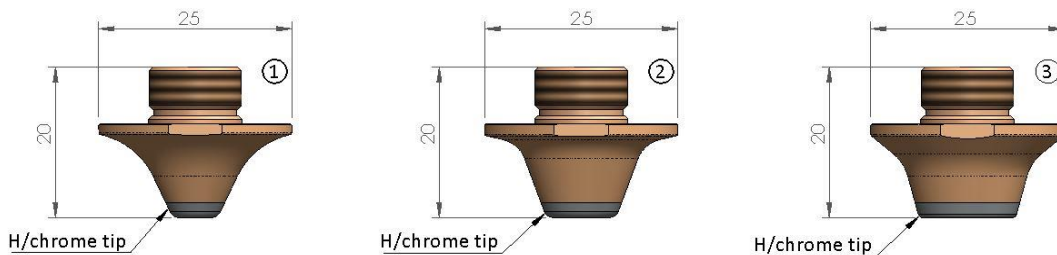


POS	LS. CODE	ORIGINAL CODE	DESCRIPTION	unit price	10 pack price
1	103003K		AMADA <sup>®</sup> NOZZLE Ø S1.5CC SPECIAL CP FOR CLEAN CUT		
	103004K	71502043	AMADA <sup>®</sup> NOZZLE Ø S2.0CC SPECIAL CP FOR CLEAN CUT		
	103005K		AMADA <sup>®</sup> NOZZLE Ø S2.5CC SPECIAL CP FOR CLEAN CUT		
	103006K	71502044	AMADA <sup>®</sup> NOZZLE Ø S3.0CC SPECIAL CP FOR CLEAN CUT		

## Replacement parts suitable for AMADA<sup>®</sup>

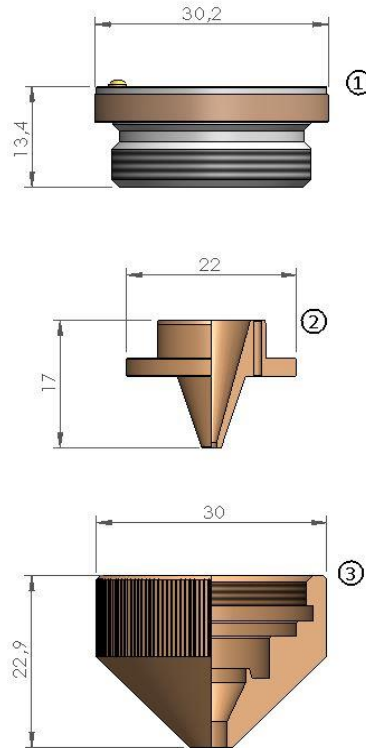


POS	LS. CODE	ORIGINAL CODE	DESCRIPTION	unit price	10 pack price
1	106001C		AMADA <sup>®</sup> DOUBLE NOZZLE Ø2.5 CP - SS		
	106002C		AMADA <sup>®</sup> DOUBLE NOZZLE Ø3.0 CP - SS		
	106003C		AMADA <sup>®</sup> DOUBLE NOZZLE Ø4.0 CP - SS		
2	106004C		AMADA <sup>®</sup> DOUBLE NOZZLE Ø6.0 CP - SS		
3	106005C		AMADA <sup>®</sup> DOUBLE NOZZLE Ø10.0 CP - SS		



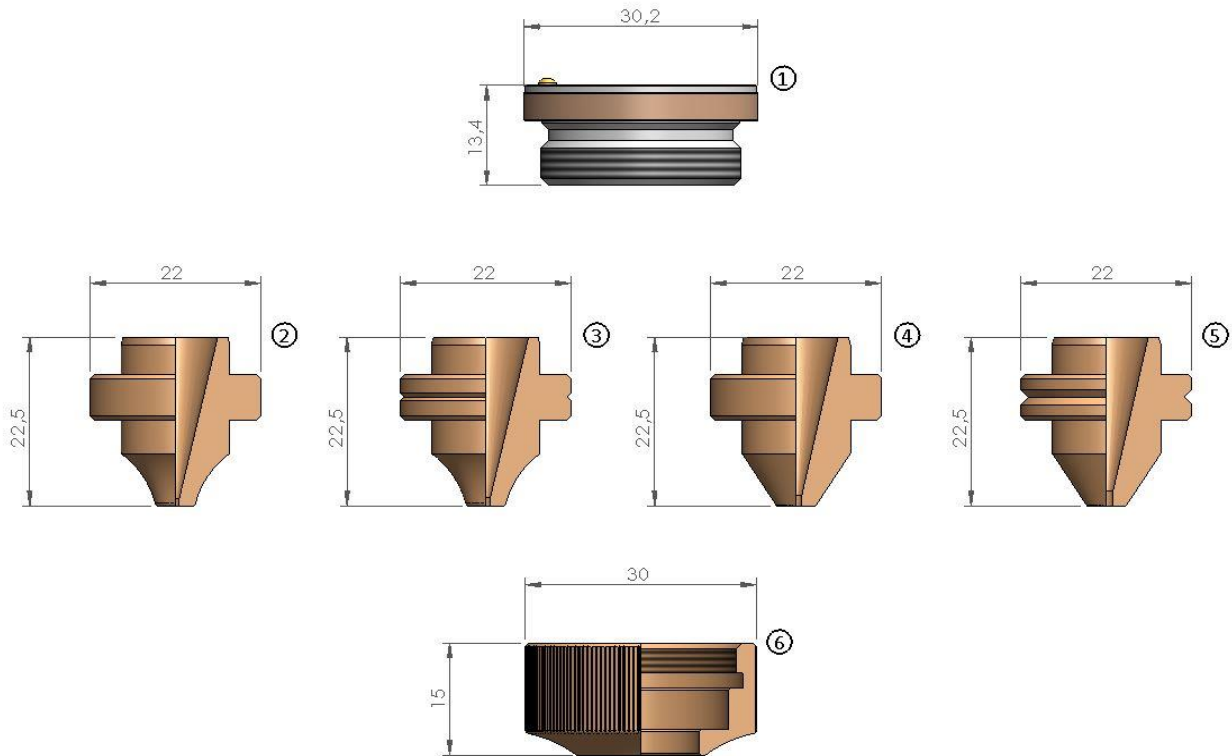
POS	LS. CODE	ORIGINAL CODE	DESCRIPTION	unit price	10 pack price
1	106001CK		AMADA <sup>®</sup> DOUBLE NOZZLE Ø2.5 CP - SS		
	106002CK		AMADA <sup>®</sup> DOUBLE NOZZLE Ø3.0 CP - SS		
	106003CK		AMADA <sup>®</sup> DOUBLE NOZZLE Ø4.0 CP - SS		
2	106004CK		AMADA <sup>®</sup> DOUBLE NOZZLE Ø6.0 CP - SS		
3	106005CK		AMADA <sup>®</sup> DOUBLE NOZZLE Ø10.0 CP - SS		

## Replacement parts suitable for AMADA<sup>®</sup>



POS	LS. CODE	ORIGINAL CODE	DESCRIPTION	unit price	10 pack price
1	309001	P0594-860-00001 - 71800010	MITSUBISHI <sup>®</sup> NOZZLE HOLDER IT HP2" MZP/MEL		
2	302110	W270	MITSUBISHI <sup>®</sup> INNER NOZZLE Ø 1.3 - 8 HOLES		
	302111	71800023 - BQ943D156H01 - W270-1.5	MITSUBISHI <sup>®</sup> INNER NOZZLE Ø 1.5 - 8 HOLES		
	302112		MITSUBISHI <sup>®</sup> INNER NOZZLE Ø 2.0 - 8 HOLES		
	302121	71800024 - BQ943D156H03 - W515	MITSUBISHI <sup>®</sup> INNER NOZZLE Ø 1.5 - 24 HOLES		
	302122		MITSUBISHI <sup>®</sup> INNER NOZZLE Ø 2.0 - 24 HOLES		
3	302305	71800027- BQ933D221H04-P0593-86000001	MITSUBISHI <sup>®</sup> OUTER NOZZLE WITH INNER WALL		

## Replacement parts suitable for AMADA®



POS	LS. CODE	ORIGINAL CODE	DESCRIPTION	unit price	10 pack price
1	309001	P0594-860-00001 - 71800010	PRECITEC NOZZLE HOLDER IT HP2" MZP/MEL		
2	302201	BQ933D283H01 - 71800016A0	mitsubishi® NOZZLE S10 Ø 1.0		
	302203		mitsubishi® NOZZLE S14 Ø 1.4		
3	302202	BQ943D269H01- W18Q93326901- BQ943D157H01 - 71800018	mitsubishi® NOZZLE S12 Ø 1.2		
	302204	71800019 - BQ943D157H02	mitsubishi® NOZZLE S15 Ø 1.5		
4	302206		mitsubishi® NOZZLE S20 Ø 2.0		
	302207		mitsubishi® NOZZLE S25 Ø 2.5		
	302208		mitsubishi® NOZZLE S30 Ø 3.0		
	302209		mitsubishi® NOZZLE S35 Ø 3.5		
	302210		mitsubishi® NOZZLE S17 Ø 1.7		
5	302205	W18Q93302701	mitsubishi® NOZZLE S17 Ø 1.7		
6	302301	71800026 - BQ933D94H01	mitsubishi® NOZZLE NUT		



---

 Replacement parts suitable for AMADA<sup>®</sup>


POS	LS. CODE	ORIGINAL CODE	DESCRIPTION	unit price	10 pack price
1	105031CW	62094006	AMADA <sup>®</sup> NOZZLE Ø 1.0 CP		
	105032CW	62094006	AMADA <sup>®</sup> NOZZLE Ø 1.25 CP		
	105033CW	62094006, 1507610	AMADA <sup>®</sup> NOZZLE Ø 1.5 CP		
	105034CW	62094006	AMADA <sup>®</sup> NOZZLE Ø 1.75 CP		
	105035CW	62094006, 1507611	AMADA <sup>®</sup> NOZZLE Ø 2.0 CP		
	105036CW	62094006	AMADA <sup>®</sup> NOZZLE Ø 2.5 CP		
	105037CW	62094008, 71102007	AMADA <sup>®</sup> NOZZLE Ø 3.0 CP		
2	105041CW	62094005	AMADA <sup>®</sup> NOZZLE Ø 1.0 CP		
	105042CW	62094005	AMADA <sup>®</sup> NOZZLE Ø 1.25 CP		
	105043CW	62094005, 71341515	AMADA <sup>®</sup> NOZZLE Ø 1.5 CP		
	105044CW	62094005, 71341515-1.75	AMADA <sup>®</sup> NOZZLE Ø 1.75 CP		
	105045CW	62094005, 71102006	AMADA <sup>®</sup> NOZZLE Ø 2.0 CP		
	105046CW	62094005	AMADA <sup>®</sup> NOZZLE Ø 2.5 CP		
	105047CW	62094005, 71341515-3.0	AMADA <sup>®</sup> NOZZLE Ø 3.0 CP		